

HOW-TO PROJECT:

build a simple and inexpensive, yet sturdy workbench

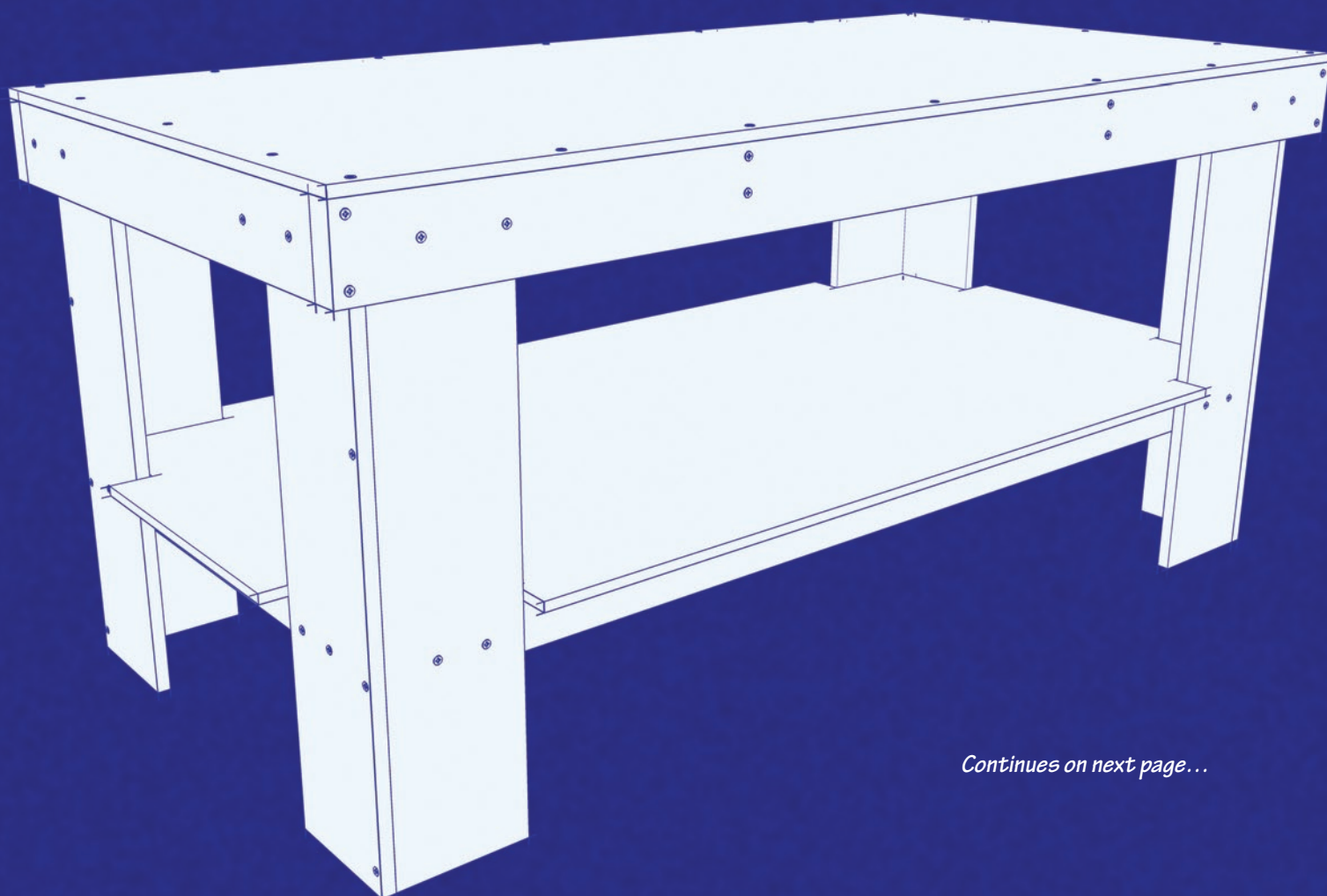
by Rob Jones

If you have a workshop in your shed, garage, or spare bedroom, chances are that you will need a workbench. It would ideally be sturdy enough to handle any project, yet simple and inexpensive to build. This How-To feature article will show you how to build such a workbench in a single afternoon with only basic tools and little or no woodworking experience.

This workbench is designed around a 4' x 8' plywood sheet as the top surface, but can be adapted to any sized workspace—larger or smaller. Simply change the dimensions of the work surface framework to suit your specific needs. Speaking of that plywood sheet, depending on your

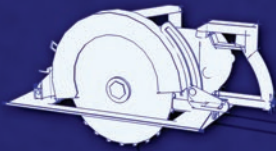
intended use (and budget), any number of materials may be used for the work surface. If cost is more of a priority than appearance, oriented strand board (OSB) is durable and inexpensive. Or if a smooth finish is needed, particle board is very smooth and is available with or without a laminated surface. By building it yourself, you can customize your workbench to meet your exact requirements!

Refer to the tools and materials list on the next page to make sure you have everything you need before heading to the hardware store and lumber yard. Then pour yourself a glass of iced tea and in eight easy steps, you'll have a workbench that will last for years and years!



Continues on next page...

Tools You Will Need



Circular Saw



Cordless Drill
w/Phillips Head
Screwdriver Bit



Tape Measure



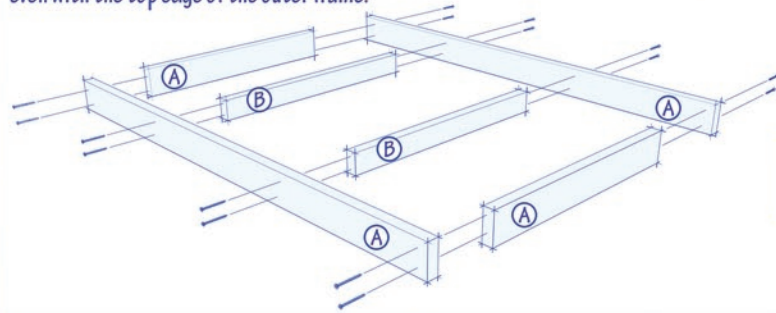
Pencil

Materials List

QTY	Description
2	4' x 8' x 3/4" Plywood Sheet
3	2" x 6" x 8'
4	2" x 4" x 8'
4	10" x 1" x 8'
1	Small Box 1 1/2" Wood Screws
1	Small Box 3" Wood Screws

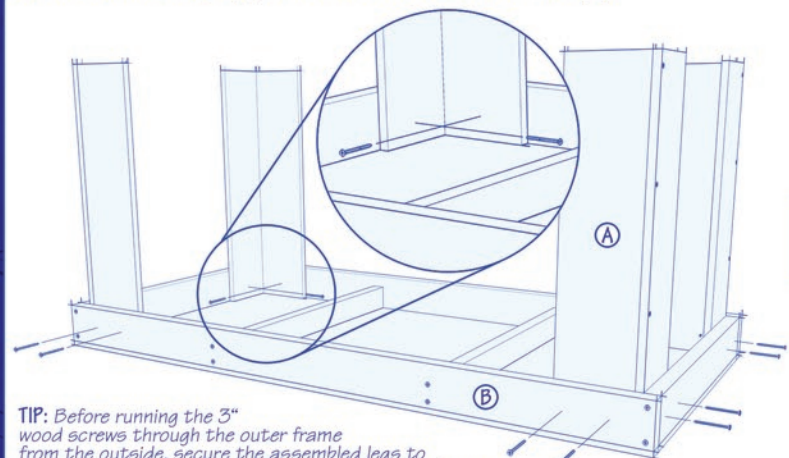
Step 1

Cut one of the 2x6x8's and one of the 2x4x8's into two 44.5" lengths. Assemble the outer frame using the 2x6's (A) and 3" wood screws. Measure 32" from each end and using 3" wood screws, attach the 2x4 (B) inner supports making sure they are square and even with the top edge of the outer frame.

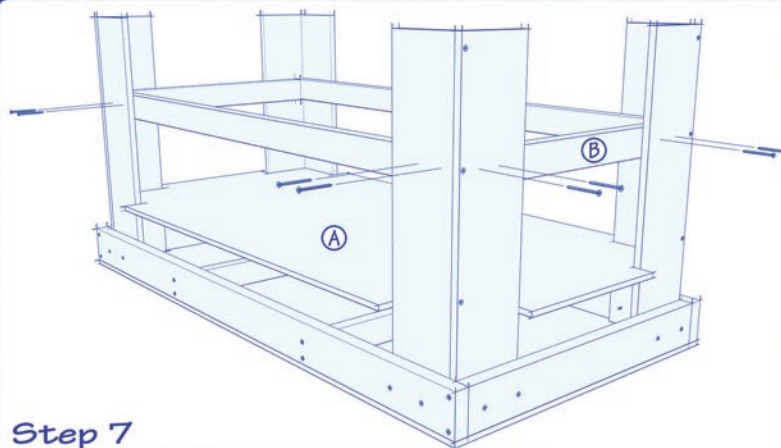


Step 4

Turn the assembled top upside down and, by running 3" wood screws through from the outside, attach the legs (A) to the inside of the 2x6 outer frame (B).

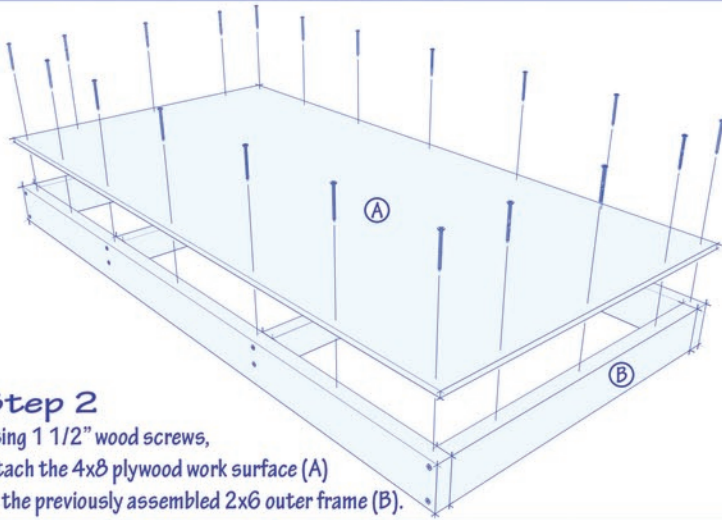


TIP: Before running the 3" wood screws through the outer frame from the outside, secure the assembled legs to the outer frame from the inside using 1 1/2" wood screws.



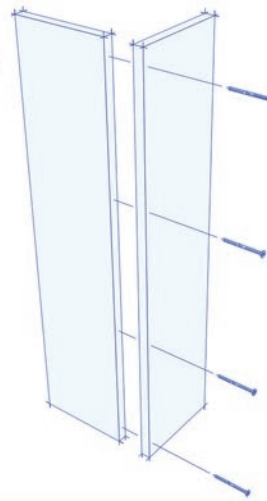
Step 7

With the assembled table still upside down, drop the shelf (A) into place and secure the shelf frame (B) at a comfortable height using 3" wood screws.



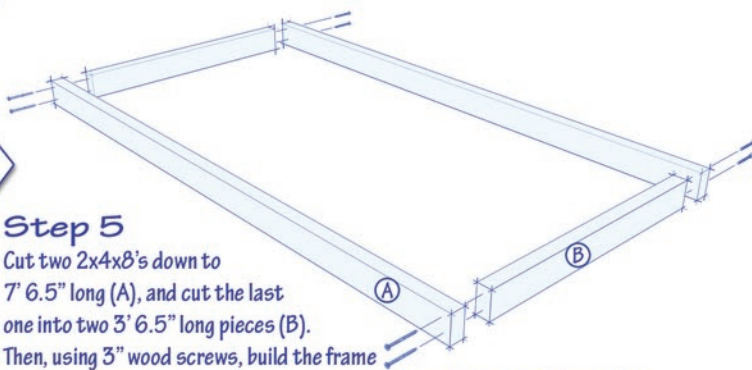
Step 2

Using 1 1/2" wood screws, attach the 4x8 plywood work surface (A) to the previously assembled 2x6 outer frame (B).



Step 3

Cut all four of the 10x14 boards into a comfortable length for the table legs (around 38"). Using 1 1/2" wood screws, attach the boards together in pairs to form each table leg.

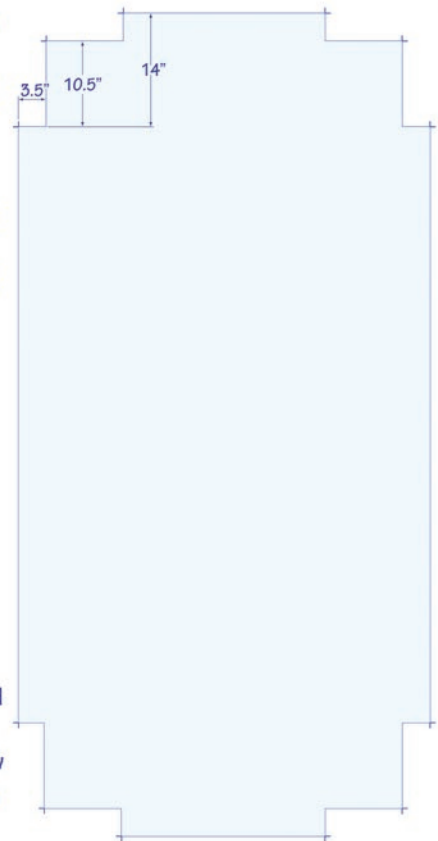


Step 5

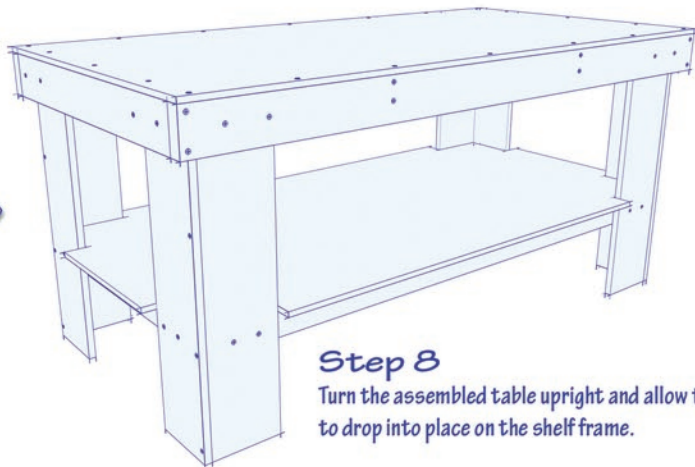
Cut two 2x4x8's down to 7' 6.5" long (A), and cut the last one into two 3' 6.5" long pieces (B). Then, using 3" wood screws, build the frame for the shelf by placing the two 3' 6.5" pieces between the 7' 6.5" boards.

Step 6

Notch the corners of the shelf so it will fit inside the legs of the table and rest on the frame built in Step 5.



NOTE: The notches should be made to fit loosely to allow easy assembly of the shelf.



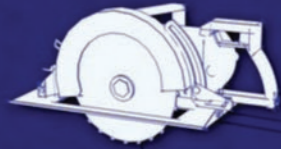
Step 8

Turn the assembled table upright and allow the shelf to drop into place on the shelf frame.

tlb

The LOCAL BUILDER
& Subcontractor Directory

Tools You Will Need



Circular Saw



Cordless Drill w/Phillips Head Screwdriver Bit



Tape Measure



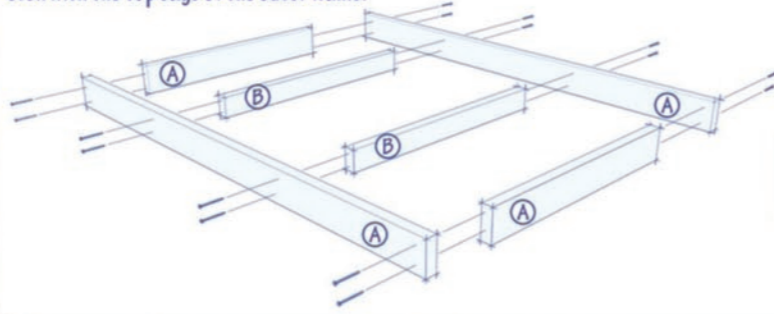
Pencil

Materials List

QTY	Description
2	4' x 8' x 3/4" Plywood Sheet
3	2" x 6" x 8'
4	2" x 4" x 8'
4	10" x 1" x 8'
1	Small Box 1 1/2" Wood Screws
1	Small Box 3" Wood Screws

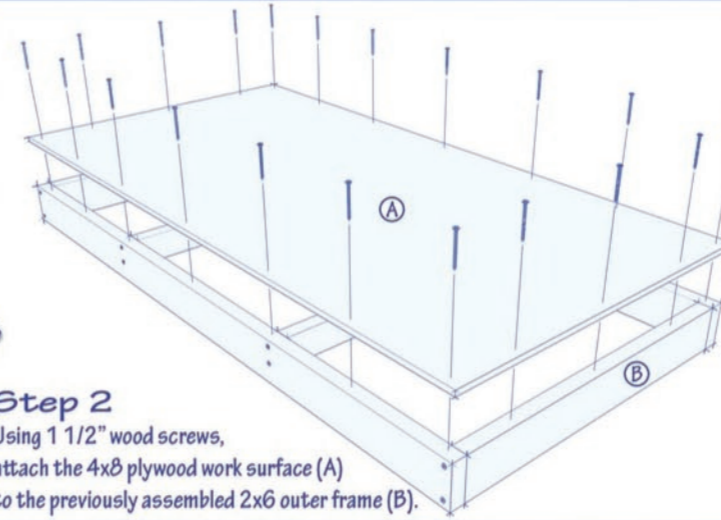
Step 1

Cut one of the 2x6x8's and one of the 2x4x8's into two 44.5" lengths. Assemble the outer frame using the 2x6's (A) and 3" wood screws. Measure 32" from each end and using 3" wood screws, attach the 2x4 (B) inner supports making sure they are square and even with the top edge of the outer frame.



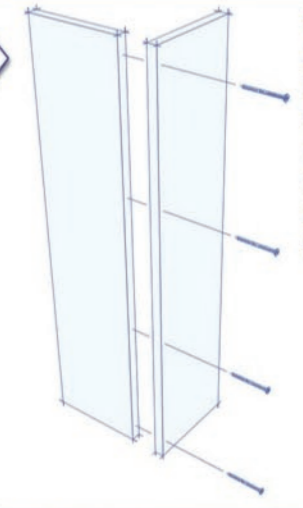
Step 2

Using 1 1/2" wood screws, attach the 4x8 plywood work surface (A) to the previously assembled 2x6 outer frame (B).



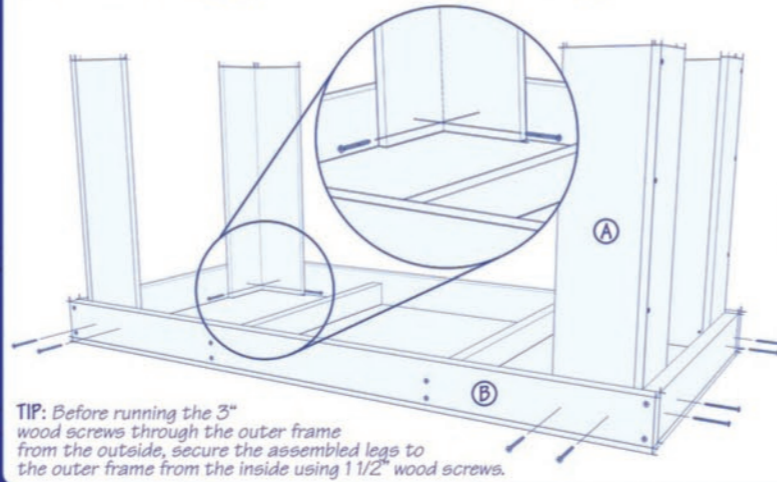
Step 3

Cut all four of the 10x1x4 boards into a comfortable length for the table legs (around 38"). Using 1 1/2" wood screws, attach the boards together in pairs to form each table leg.



Step 4

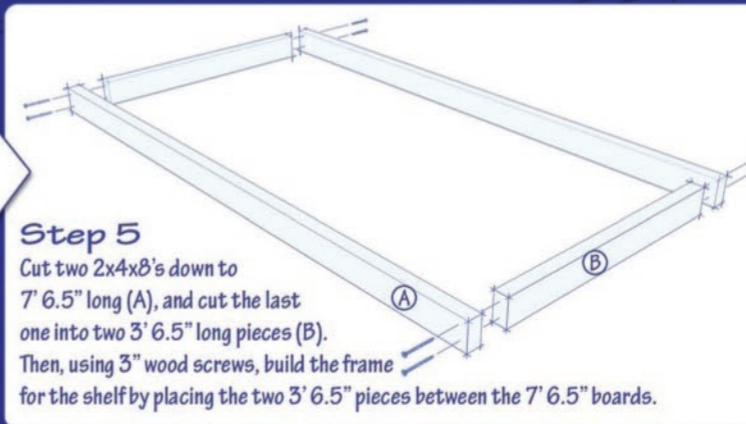
Turn the assembled top upside down and, by running 3" wood screws through from the outside, attach the legs (A) to the inside of the 2x6 outer frame (B).



TIP: Before running the 3" wood screws through the outer frame from the outside, secure the assembled legs to the outer frame from the inside using 1 1/2" wood screws.

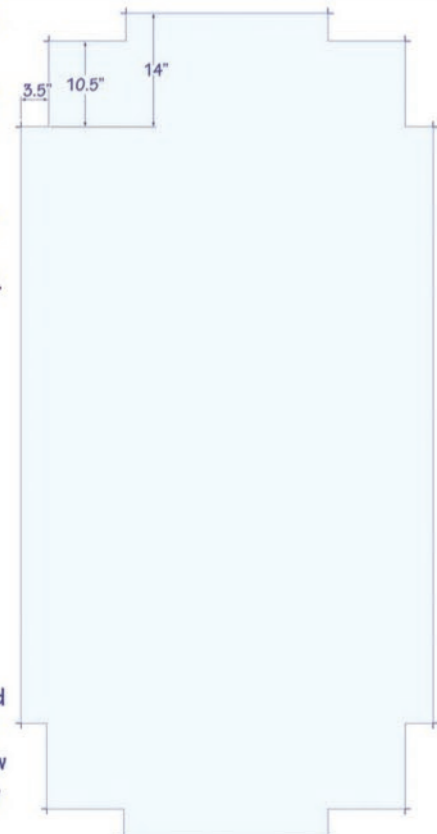
Step 5

Cut two 2x4x8's down to 7' 6.5" long (A), and cut the last one into two 3' 6.5" long pieces (B). Then, using 3" wood screws, build the frame for the shelf by placing the two 3' 6.5" pieces between the 7' 6.5" boards.



Step 6

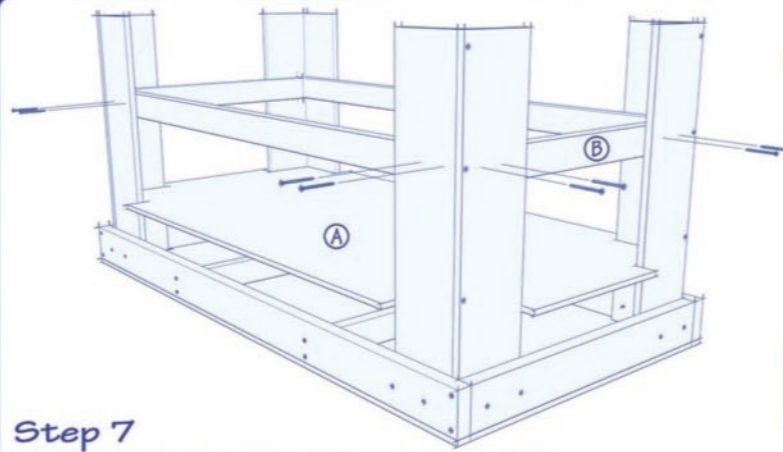
Notch the corners of the shelf so it will fit inside the legs of the table and rest on the frame built in Step 5.



NOTE: The notches should be made to fit loosely to allow easy assembly of the shelf.

Step 7

With the assembled table still upside down, drop the shelf (A) into place and secure the shelf frame (B) at a comfortable height using 3" wood screws.



Step 8

Turn the assembled table upright and allow the shelf to drop into place on the shelf frame.

